

# T17 HiGrasp Technical Data Sheet

## 12-11 T17 Timber HiGrasp

PART NUMBER	DESCRIPTION	PACK / QTY	OUTER BOX
TT12-11X50CL5HGN	12-11 x 50mm Class 5 Type 17 Timber HiGrasp with Seal	100 / 500	600 / 1500
TT12-11X65CL5HGN	12-11 x 65mm Class 5 Type 17 Timber HiGrasp with Seal	100 / 500	600 / 1500

### Application:

Konnect® 12-11 Hew Washer HiGrasp Type 17 Screws are designed for installing / fixing via the crest of roof sheets to Top Hat or timber battens.

### Drill Capacity:

Top Hat Batten 0.55 - 0.75mm | Timber Batten - Pine or Hardwood

### Features:

Hex Drive  
HiGrasp Top Thread  
Shank Cutters  
Finish / Coatings

### Advantages:

A positive drive under high installation torque  
Stops the sheet from moving when the roof is walked on  
Protects the shank and protective coating from damage during installation  
K5™ Corrosion Performance Class 5 - ISO 9223 Category 5

### Installation Instructions :

1. Use a 5/16" Hexagon Nut Driver / Setter ( Konnect® Part Number - KCNS51665 - 65mm long)
2. Use a mains powered or cordless screw driver with a recommended drill speed of 1800 RPM.
3. Fit the Hexagon Nut Driver / Setter over the Hexagon Head of the screw and place at the desired fastening position
4. Apply a consistent firm amount of pressure (end load) to the screw driver until the screw has drilled and fastened into the material.

**Material:** Carbon Steel SAE 1022 | **Heat Treatment:** To AS3566.1 - 2002 (R2015) | **Finish:** K5™ Coating only

### Mechanical Properties:

Single Shear Strength (N) 8500 | Axial Tensile Strength (N) 15,400 | Torsional Strength (Nm) 14.8

### Pull Out Values:

G550 0.55mm Batten 1,600 | G550 0.75mm Batten 2,500  
\* F5 (Pine) Timber 4,300 | F17 (Hardwood) 6,570

All values are averages in Newtons that have been obtained under strict laboratory conditions. Appropriate safety factors should be applied for design purposes.

All these figures listed above are ONLY for Konnect® Head Marked Product.

\* Timber values are at 34/36 mm embedment in accordance with AS3566.1 2002 (R2015)

### Corrosion Performance:

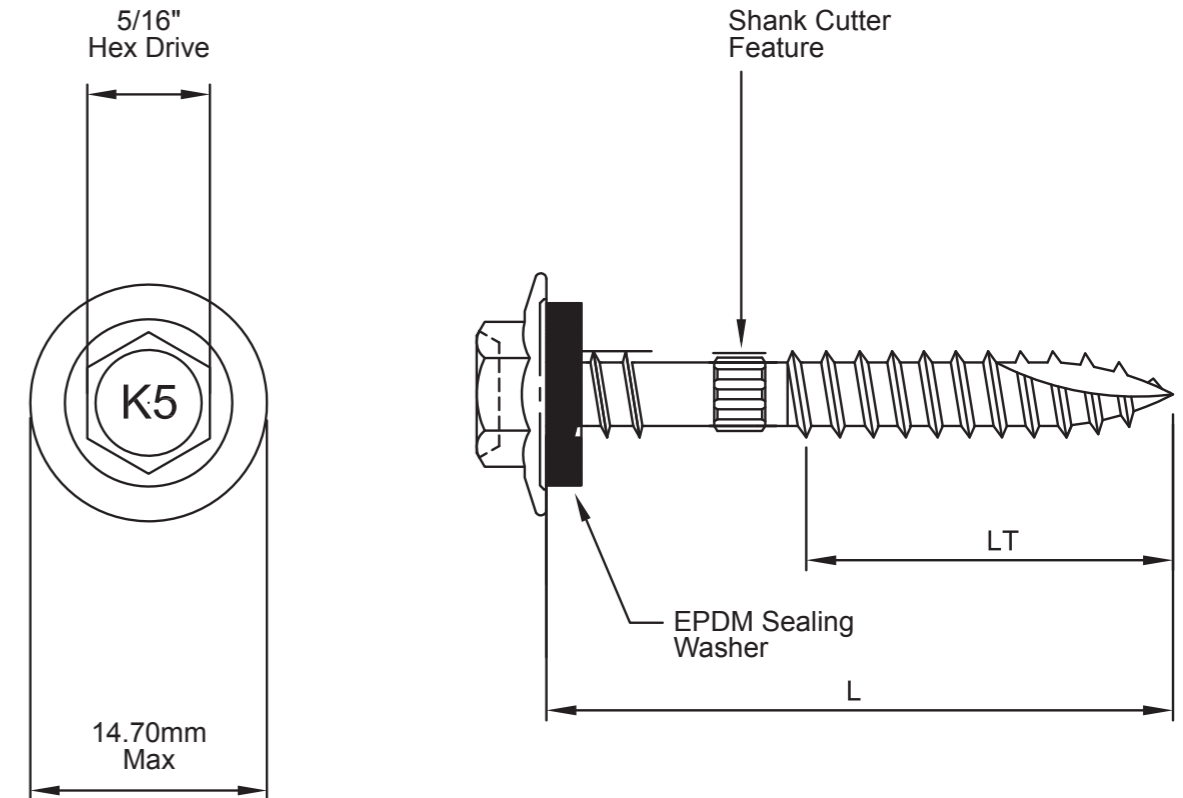
Konnect® Unitites™ with K5™ coating complies to Australian Standard AS3566.2 2002. K5™ Coated product is suitable for all ISO Categories up to and including Category 5.



Whilst every care has been taken in preparation of this guide, Konnect® accepts no responsibility for the accuracy of the information supplied. Copyright 2016. The contents of this document are the exclusive copyright of Konnect® and may not be reproduced without written consent.

# T17 HiGrasp Technical Data Sheet

## 12-11 T17 Timber HiGrasp



PART NUMBER	L	LT
TT12-11X50CL5HGT17N	48.50 / 50.00	31.00 / 33.00
TT12-11X65CL5HGT17N	63.50 / 65.00	35.00 / 40.00



Whilst every care has been taken in preparation of this guide, Konnect® accepts no responsibility for the accuracy of the information supplied. Copyright 2016. The contents of this document are the exclusive copyright of Konnect® and may not be reproduced without written consent.